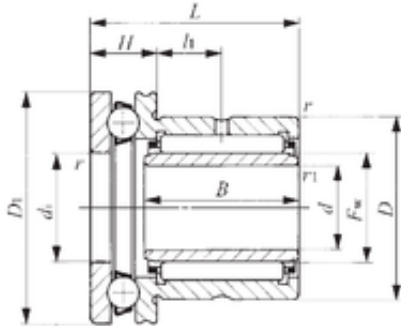


50 mm x 72 mm x 25,5 mm d IKO NAXI 5040 complex bearings



NAXI 5040 Bearing 2D drawings and 3D CAD models

Bearing No. NAXI 5040

Bore Diameter	50 mm
Outer Diameter	72 mm
d	50 mm
Fw	60 mm
D	72 mm
D1	85 mm
B	25,5 mm
d1	60 mm
r min.	1 mm
r1 min.	1 mm
H	17 mm
L	40 mm
L1	12 mm
da min.	75 mm
db	59 mm
Weight	0,582 Kg
Dynamic load rating radial (C)	47,5 kN
Dynamic load rating axial (C)	41,4 kN
Static load rating radial (C0)	103 kN
Static load rating axial (C0)	89,7 kN
Category	Bearings
Inventory	0.0
Manufacturer Name	IKO
Minimum Buy Quantity	N/A



# **BEARING Bearing And Parts Services**

Weight / Kilogram	0
Product Group	B04144