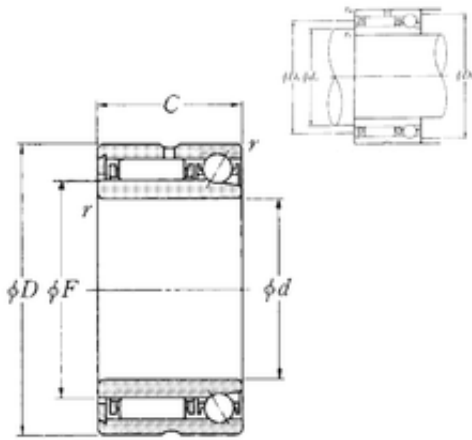


17 mm x 30 mm x 18 mm B NTN NKIA5903
complex bearings



Bearing No. NKIA5903

NKIA5903 Bearing 2D drawings and 3D CAD models

Size	17x30x18 mm
Bore Diameter	17 mm
Outer Diameter	30 mm
Width	18 mm
d	17 mm
F	22 mm
D	30 mm
B	18 mm
C	18 mm
r min.	0,3 mm
da min.	19,5 mm
Da max.	24 mm
ra max.	0,3 mm
Db max	27,5 mm
Weight	0,056 Kg
Dynamic load rating radial (C)	10,1 kN
Dynamic load rating axial (C)	2,53 kN
Static load rating radial (C0)	14,9 kN
Static load rating axial (C0)	3,55 kN
(Grease) Lubrication Speed	12000 r/min